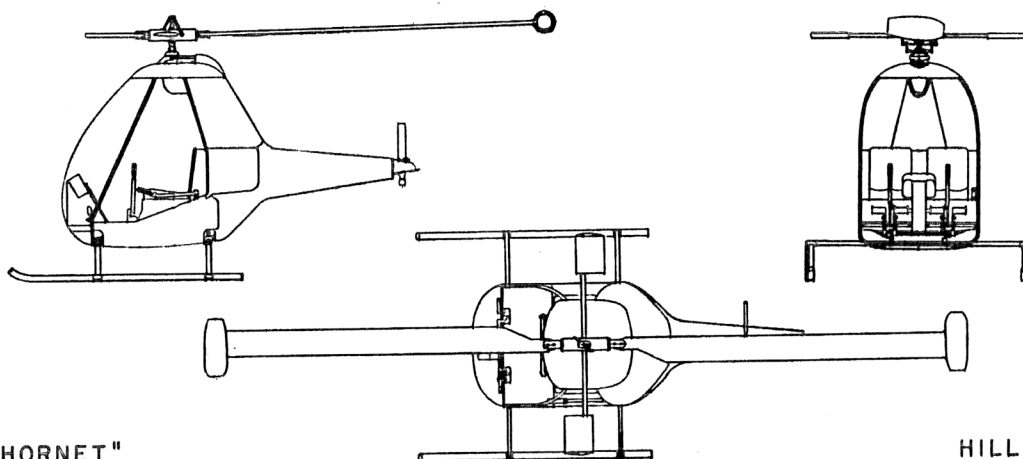


Serial Number

Characteristics Summary

HELICOPTER YH-32



"HORNET"

HILLER

Disc Area	415.0 sq ft	Length (rotors operating)	23.7 ft
Blade Dia (includes ramjets)	23.7 ft	(rotors static)	23.7 ft
Height	7.8 ft	(fuselage)	13.6 ft

duplicate in unclassified "Black Book"

AVAILABILITY			PROCUREMENT			
Number available			Number to be delivered in fiscal years			
ACTIVE	RESERVE	TOTAL				

STATUS

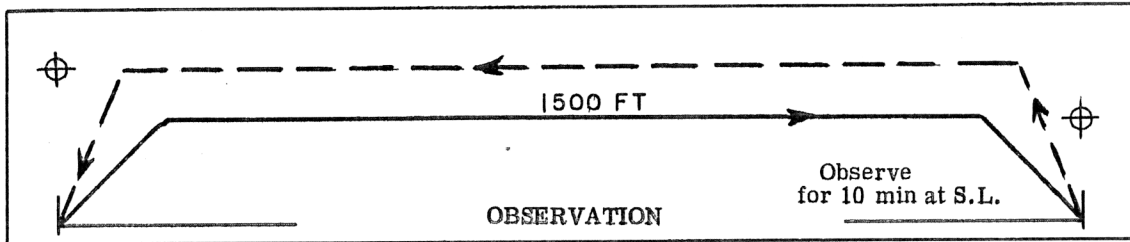
1. Twelve (12) "Off the Shelf" aircraft being procured for the Department of Army.
2. First Flight: Sep 53
3. First Acceptance: Jun 55

Navy Equivalent: HOE-1

Mfr's Model: HJ-1

POWER PLANT	FEATURES	GENERAL
(2) 8RJ2B Hiller Subsonic Ramjet ENGINE RATINGS Velocity (ft/sec) 662 Thrust (lb) 39 Altitude (ft) . . . S.L. . 8500	Skid Type Landing Gear Single Blade Counterbalanced Tail Rotor Laminated Fibre-Glass Tail Section Removable Plexiglass Cockpit Sections Tip Mounted Ramjet Engines Rotomatic Control Max Fuel Capacity: 52 gal	Crew 1 Passengers 1

Characteristics Summary Basic Mission YH-32



PERFORMANCE		
COMBAT RADIUS	FERRY RANGE	S P E E D
<p>2 naut. mi with Zero lb payload at Zero knots avg. in 0.25 hours.</p>	<p>27 naut. mi with 52 gal fuel at 61 knots avg. in 0.5 hours at 1080 lb T.O. wt.</p>	<p>COMBAT _____ knots at _____ ft alt, max power MAX 58 Kn at S.L., normal power, T.O. weight BASIC _____ knots at _____ ft alt, max power</p>
C L I M B	C F I L I N G	T A K E - O F F
<p>700 fpm sea level, take-off weight normal power</p>	<p>6000 ft 100 fpm, take-off weight normal power</p>	<p>ground run 0 ft _____ ft no assist assisted</p>
<p>_____ fpm sea level, combat weight maximum power</p>	<p>_____ ft 500 fpm, combat weight maximum power</p>	<p>over 50 ft height 0 ft _____ ft 'no assist assisted</p>
L O A D	W E I G H T S	H O V E R I N G C E I L .
<p>Pilot 170 lb Observer 170 lb Fuel: 37.0 gal protected 0 % droppable 0 % external 0 %</p>	<p>Empty 510 lb Combat 895 lb Take - off 1080 lb limited by strength</p>	<p>Below S.L. Combat Weight, normal power VERT. CLIMB Zero fpm sea level, take-off weight, normal power</p>

N O T E S

1. Performance Basis:
 (a) Flight Tests (Not substantiated by WADC)

2. Revision Basis: Initial Issue