

U.S. NAVY YF2Y-1 SEADART BU NO. 135763

BUILT BY CONVAIR DIVISION,
GENERAL DYNAMICS CORPORATION

MISSION: WATER BASED INTERCEPTOR

CONFIGURATION: TWIN SKIS

DIMENSIONS: SPAN 33 FT 8 IN.
LENGTH 51 FT 1-1/2 IN.

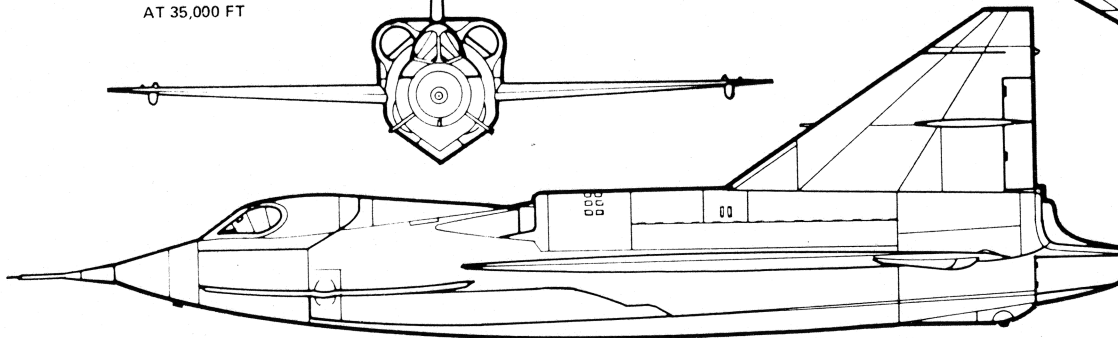
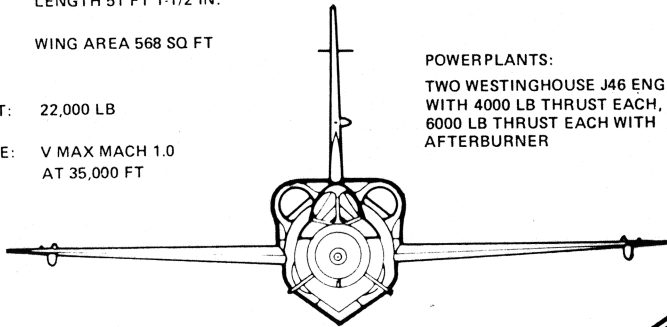
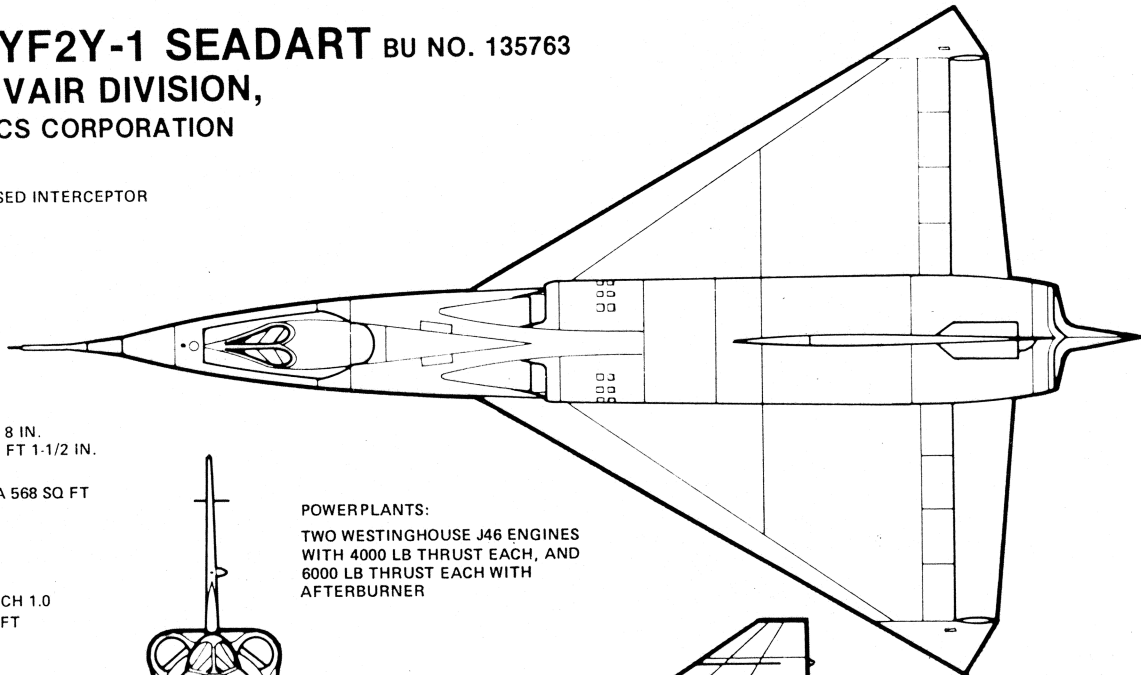
WING AREA 568 SQ FT

GROSS WEIGHT: 22,000 LB

PERFORMANCE: V MAX MACH 1.0
AT 35,000 FT

POWERPLANTS:

TWO WESTINGHOUSE J46 ENGINES
WITH 4000 LB THRUST EACH, AND
6000 LB THRUST EACH WITH
AFTERBURNER



The Seadart aerodynamic design is best illustrated by the No. 3 aircraft, YF2Y-1, Bu. No. 135763.