

Figure II-12 Launch Capsule Dimensions

SECTION II. WEAPON SYSTEM DESCRIPTION (Continued)

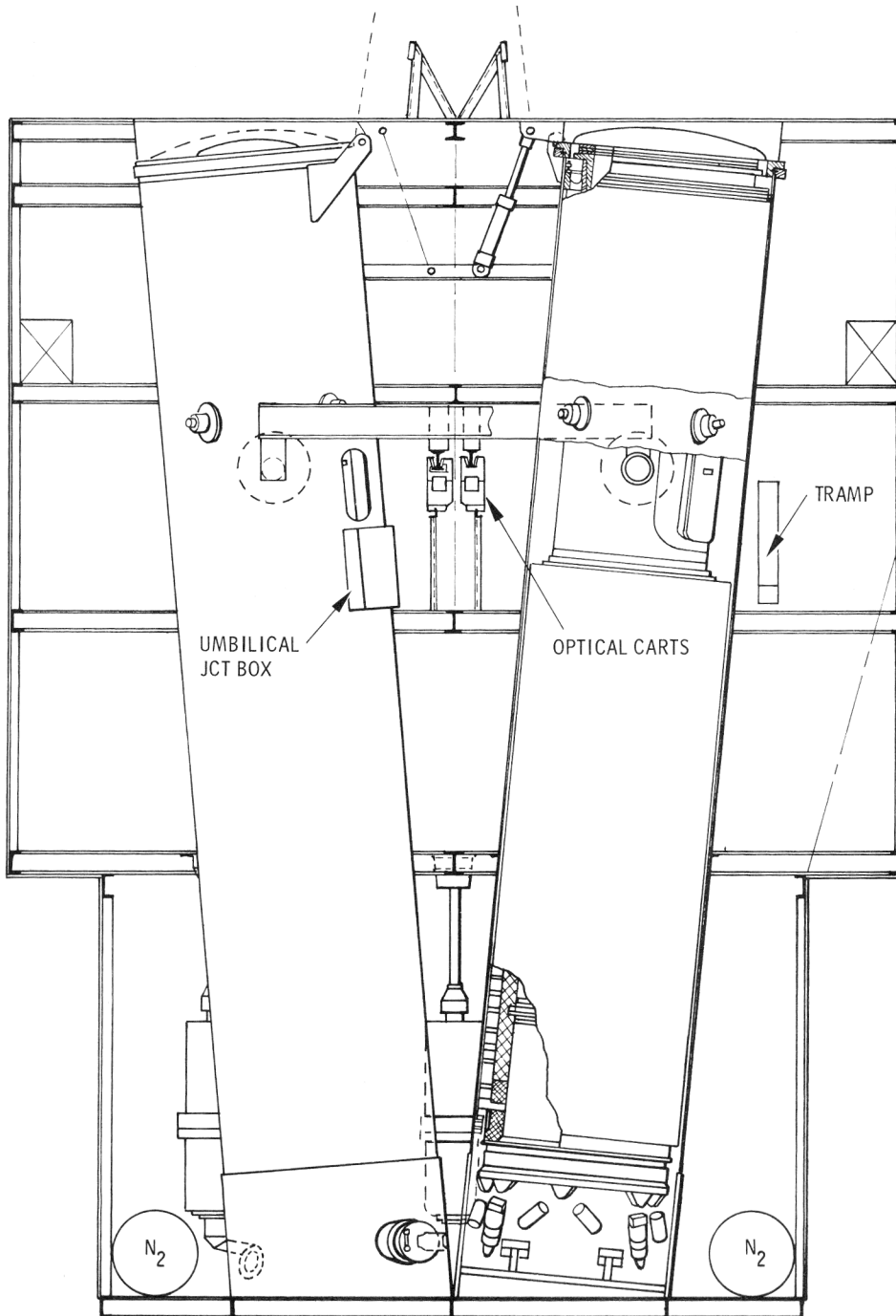


Figure II-13 Launch Capsule - Athwartships Elevation

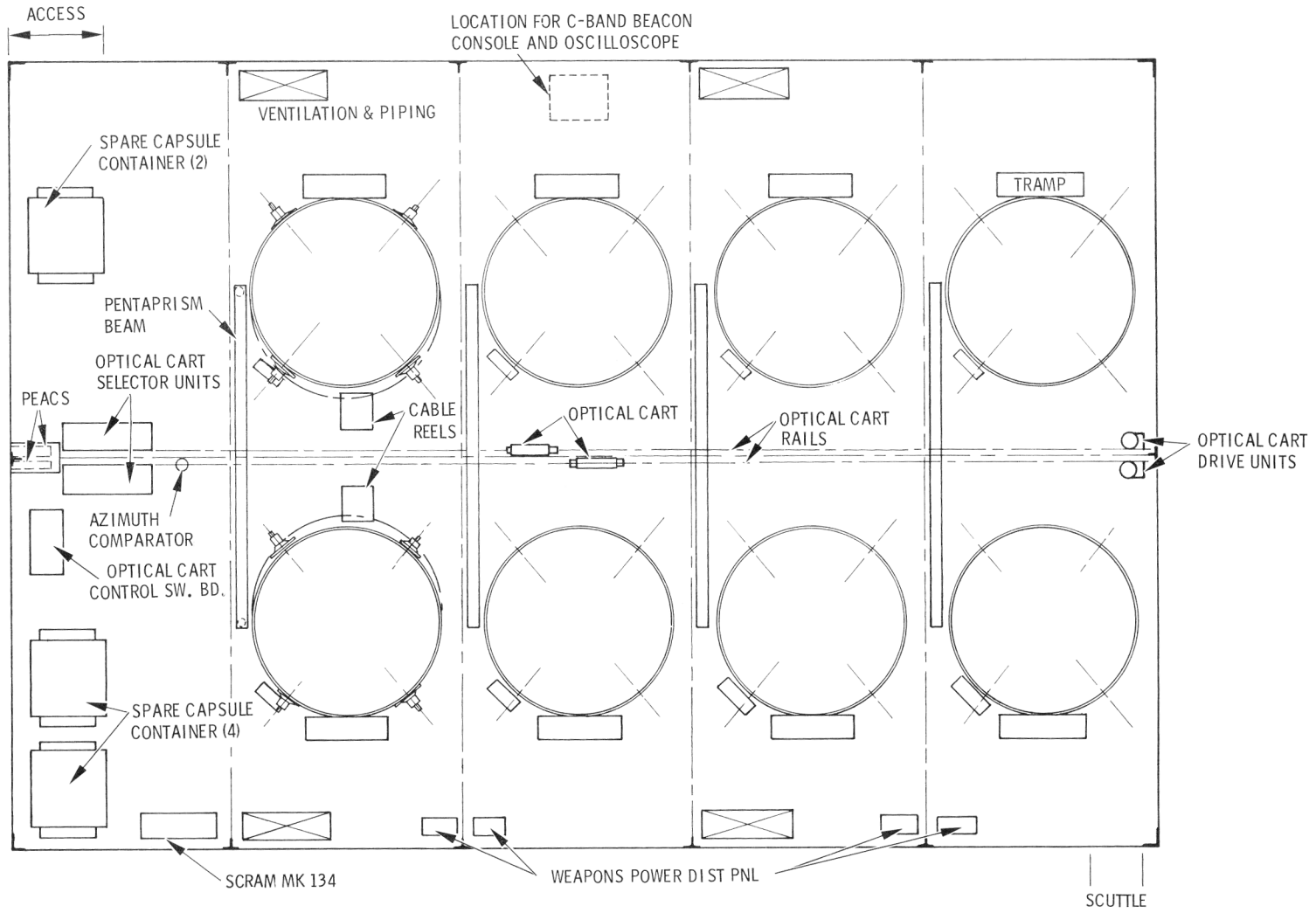


Figure II-14 Launch Capsule - Upper Operating Level

CONFIDENTIAL

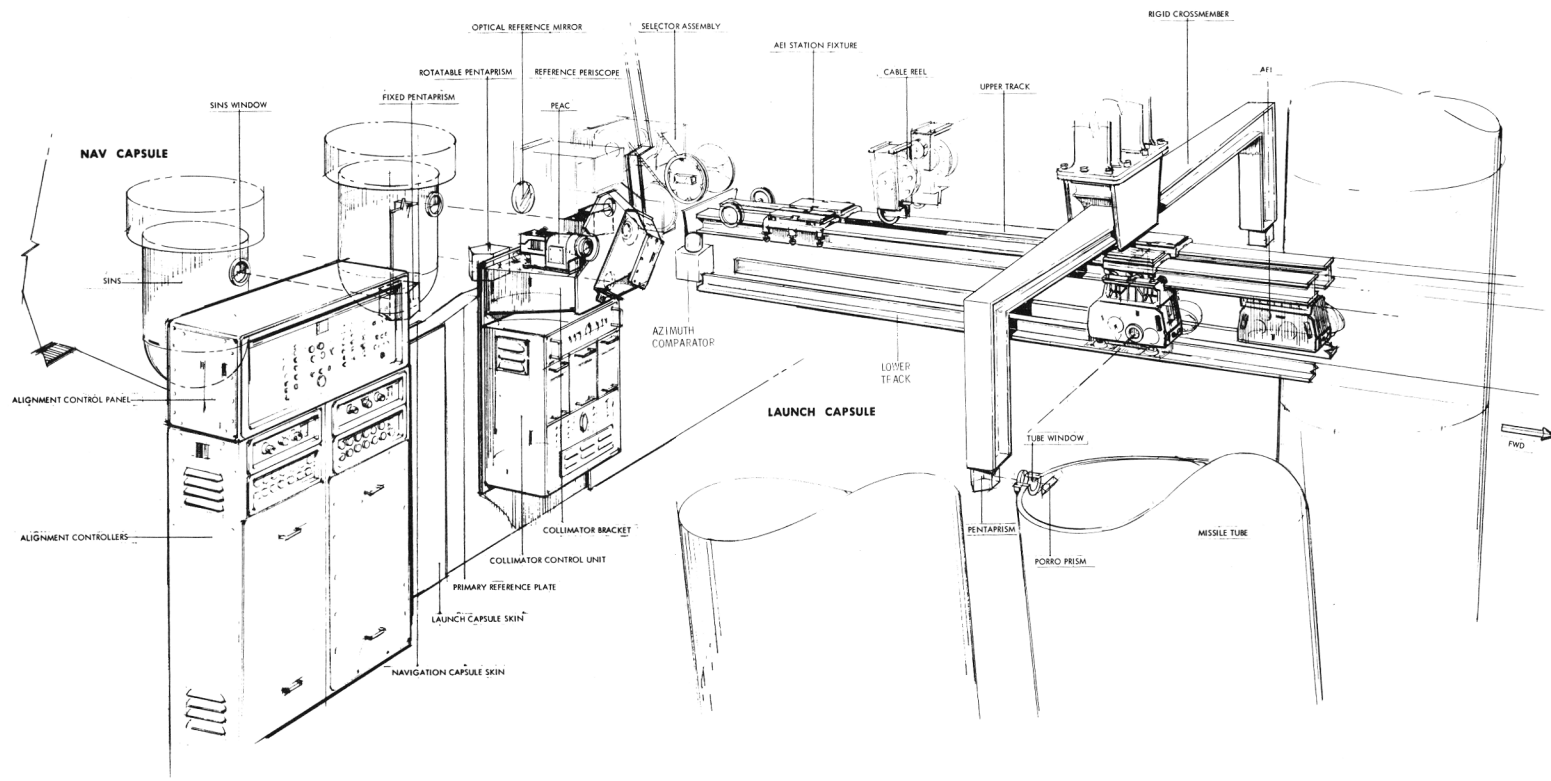


Figure II-15 Launch Capsule - Optical Alignment Group

II-51

CONFIDENTIAL

Special Projects Report  
Number 03900.2

SECTION II. WEAPON SYSTEM DESCRIPTION (Continued)

TABLE II-7 LAUNCH CAPSULE EQUIPMENT

Description	Quantity per		Unit Weight (lbs)	Unit Power 440-60 cps KVA
	8 Missiles	16 Missiles		
Launcher Mark 9 Mod 0 Tube	8	16	25,900	
Missile Eject Group				
Gas Generator	8	16	882	
Cooling Chamber	8	16	1,000	
Ancillary Equip.				
Nitrogen Flasks	2	4	1,000	
Humidity Monitoring and Alarm	8	16	125	
Hydraulic Transfer Panels	2	4	3,500	
Hydraulic Power Distribution	1	1	2,000	
Load Distribution Panel	1	1	3,000	
Hydraulic Station	1	1	4,500	
Main Disconnect Breakers	2	2	689	*179.6 8 Missiles *198. 16 Missiles
Main Distribution Panels - Input	2	2	360	
Utility Distribution Panel 120V	1	1	150	
Equipment Distribution Panel 120V	1	1	150	
Equipment Distribution Panel 440V	2	2	150	
18 KW-600A Rectifiers	2	2	830	25.6
TRAMPS MK 133	8	16	564	2.3
25 KW 60 cyc Transformer	3	3	280	27.
15 KW 60 cyc Transformer	6	6	206	17.
Automatic Bus Transfer	9	9	206	
Missile Junction Box	8	16	90	
SCRAM MK 134	1	1	450	1.5

\*Total Power Required