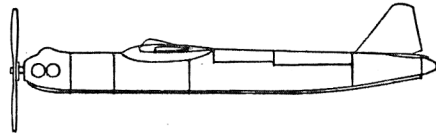
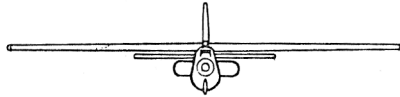
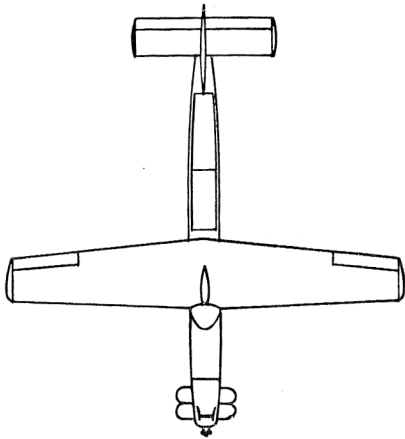


Characteristics Summary

DRONE OQ-19D

Review this aircraft in this date.



RADIOPLANE

Wing Area 18.7 sq ft Length 12.3 ft
 Span 11.5 ft Height 2.7 ft

AVAILABILITY			PROCUREMENT			
Number available			Number to be delivered in fiscal years			
ACTIVE	RESERVE	TOTAL				

STATUS

1. Project No. R-448-78 Initiated: 2 Mar 49
2. Project No. 3-448-101 Initiated: 31 Jan 52
3. Final Contract: 12 Oct 49
4. First Flight (Prototype-modified OQ-19A): 29 Jul 49
5. The OQ-19D differs from the OQ-19B by change in the guidance equipment.

Navy Equivalent: None

Mfr's Model: None

POWER PLANT

(1) O-100-1
McCulloch

THRUST RATINGS

BHP-RPM- SL - MIN
 T.O: *72 - 4100 - SL - *
 Nor: *72 - 4100 - SL-Cont

*Engine operates at full throttle at all times.

BOOSTER

No. & Type (1) M-2
 Thrust (lb) 2160
 Duration (sec) N.A.

FEATURES

Designed for Anti-aircraft Gunnery
 Keel Alighting Gear
 Integral Flotation System
 Fuel Consists of a 10 to 1 Ratio of Gasoline and Oil

Max Fuel Cap: 11.3 gal

GUIDANCE

RADIO

Transmitter . . . AN/URW-3
 Receiver . . . AN/ARW-26AY

CONTROL

Control System MA-1
 Aileron Gyro System E16A
 Elevator Servo D-7

Characteristics Summary Basic Mission OQ-19D

NOT AVAILABLE

GUNNERY TRAINER

PERFORMANCE		
ENDURANCE	RANGE	S P E E D
<p>60 minutes at sea level</p>	<p>NOT AVAILABLE</p> <p style="text-align: right;">naut mi.</p> <p>with lb payload</p> <p>at knots avg.</p> <p>in hours</p>	<p>MAX 180 knots at sea level, normal power</p>
LAUNCHING	CLIMB	ALTITUDE
<p><u>Ground</u> Type A-7 Catapult with ATO unit mounted on rocket car or Model A-2 Rotary Launcher</p> <p><u>Air</u> Suspended and launched from B-26C aircraft</p>	<p>3060 fpm sea level, launching wt., normal power</p>	<p>Begin Cruise ft.</p> <p style="text-align: center;">NOT AVAILABLE</p> <p>End Cruise ft.</p>
L O A D	W E I G H T S	TARGET ACCURACY
<p>Fuel: 11.3 gal</p> <p>protected 0 %</p> <p>droppable 0 %</p> <p>external 0 %</p>	<p>Empty 248 lb</p> <p>Launch 317 lb</p>	<p>NOT APPLICABLE</p>

N O T E S

1. PERFORMANCE BASIS:
 - (a) Estimated data (Not substantiated by WADC)
2. REVISION BASIS: To reflect latest characteristics data.